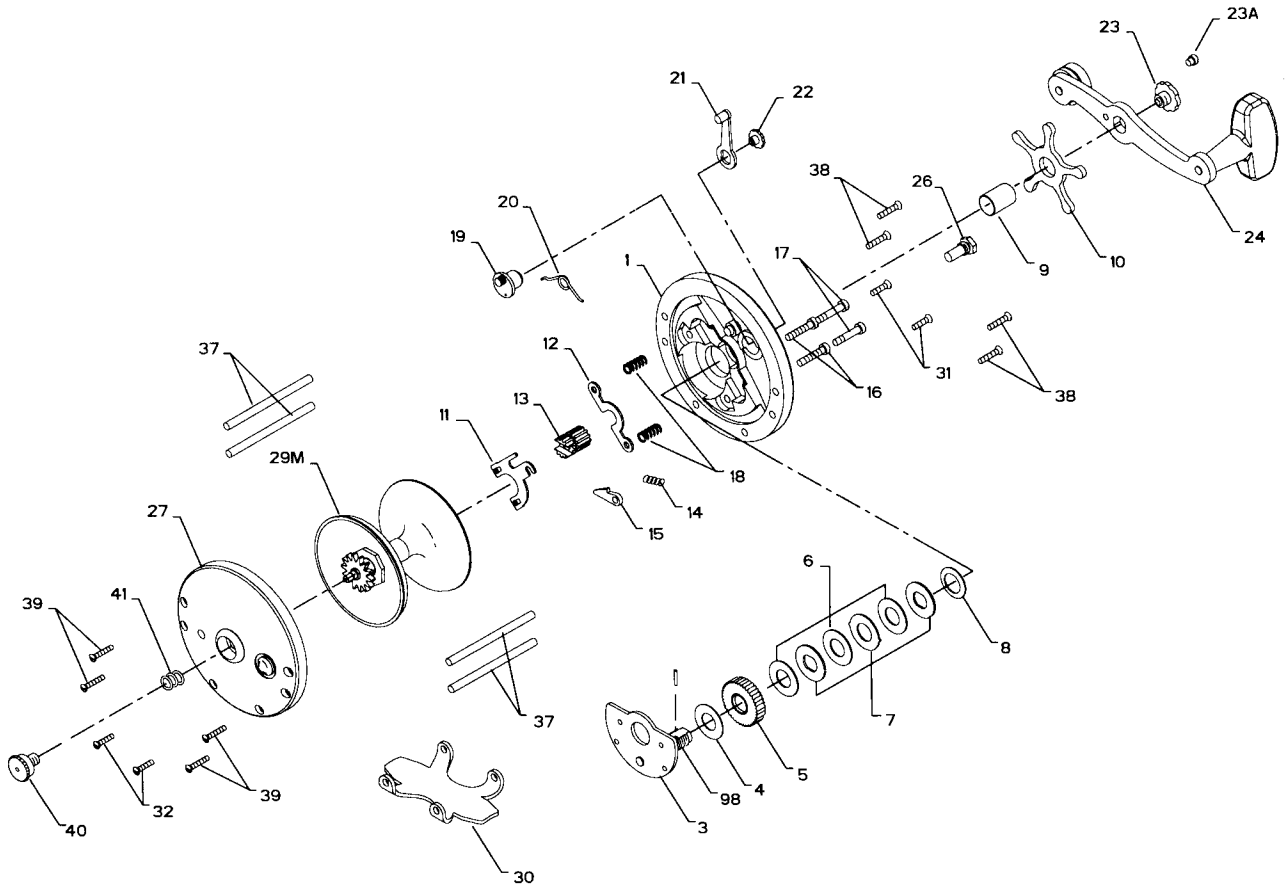




# PARTS AND PRICE LIST FOR MODEL 285M



Key No.	Part No.	Description	Price	Key No.	Part No.	Description	Price
1	1-285	Right Side Plate .....	\$4.45	20	20-60	Eccentric Spring .....	.4
3	3-66	Bridge w/Sleeve .....	5.00	21	21-285	Eccentric Lever .....	1.5
4	4-60	Fiber Washer .....	.40	22	22-60	Eccentric Screw .....	.5
5	5-60	Main Gear .....	3.60	23	23-60	Handle Screw .....	1.7
6	6-60	Drag Washer (3 req.) .....	.70	23A	110-60	Handle Lock Screw .....	.4
7	7C -60	Metal Washer Set .....	2.70	24	24-155	Handle .....	6.0
8	8-60	Tension Spring .....	.50	26	26-60	R.S. Bearing .....	1.8
9	9-60	Spacing Sleeve .....	.90	27	27-285	Left Side Plate .....	3.1
10	10-60	Star Drag Wheel .....	2.50	29	29M-60	Spool .....	10.0
11	11-60	Eccentric Jack .....	1.10	30	30-60	Stand .....	5.3
12	12-60	Pinion Yoke .....	.90	31	32-16	R.S. Stand Screw .....	.4
13	13-60	Pinion .....	2.45	32	32-22	L.S. Stand Screw .....	.4
14	14-99	Dog Spring .....	.40	37	37-60	Frame Post .....	1.5
15	15-99	Dog .....	.90	38	38-8	R.S. Post Screw .....	.4
16	16-60	Lower Bridge Screw .....	.40	39	38-8	L.S. Post Screw .....	.4
17	17-60	Upper Bridge Screw .....	.40	40	40-60	L.S. Bearing .....	2.3
18	18-60	Clutch Spring .....	.40	41	41-60	L.S. Bearing Spring .....	.8
19	19-60	Eccentric .....	1.80	98	98-60	Gear Sleeve .....	4.0